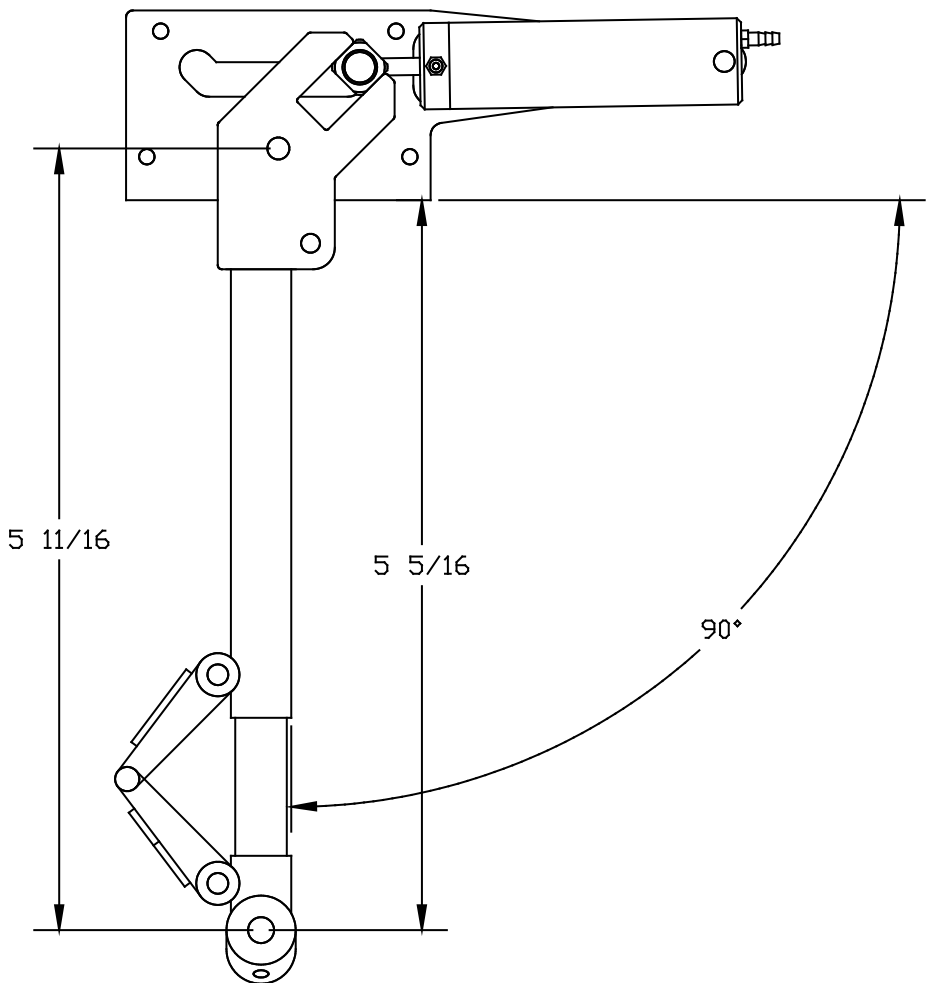
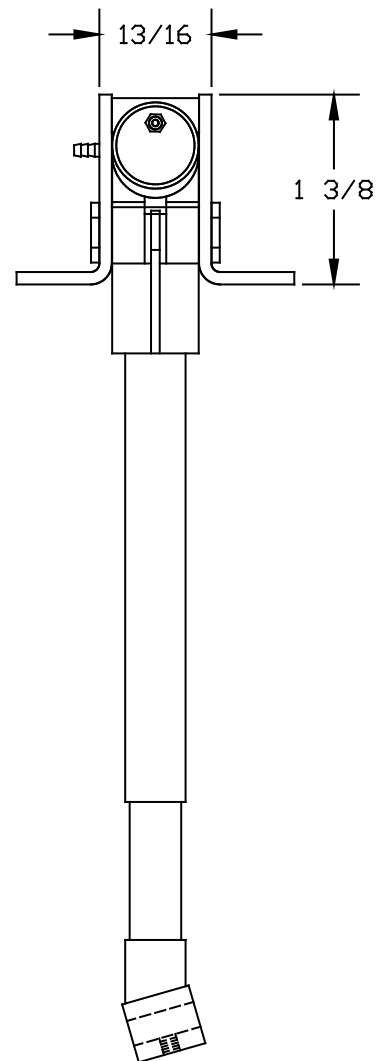
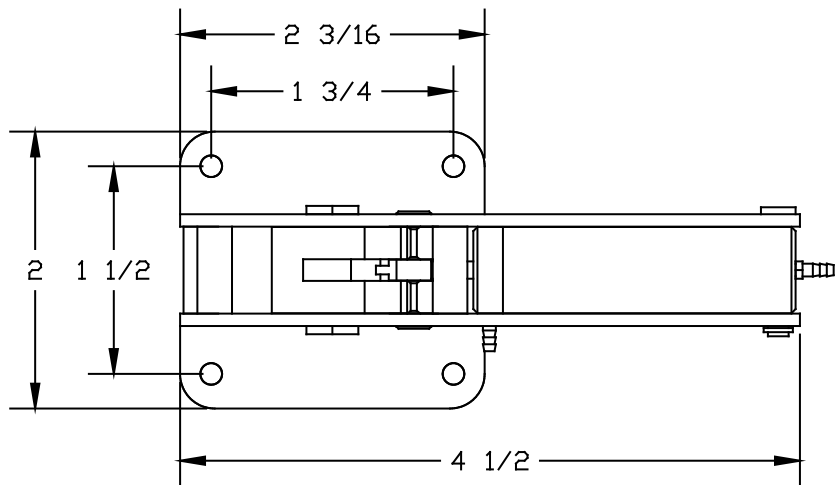



THIS DRAWING ITS CONTENTS AND INFORMATION, ARE CONFIDENTIAL, AND THE PROPERTY OF ROBERT MFG. INC. IT MAY NOT BE USED, COPIED, AND / OR TRANSMITTED TO ANY PERSON, FIRM, OR CORPORATION WITHOUT THE PRIOR WRITTEN APPROVAL OF ROBERT MFG. INC.



		MFG. INC. 625 N. 12TH ST. ST. CHARLES, IL
TITLE MAIN RETRACT MECHANISM DIMENSION DRAWING FOR F104 (RH) SHOWN		
DRAWING No. F104 MAIN GEAR	REV. A	