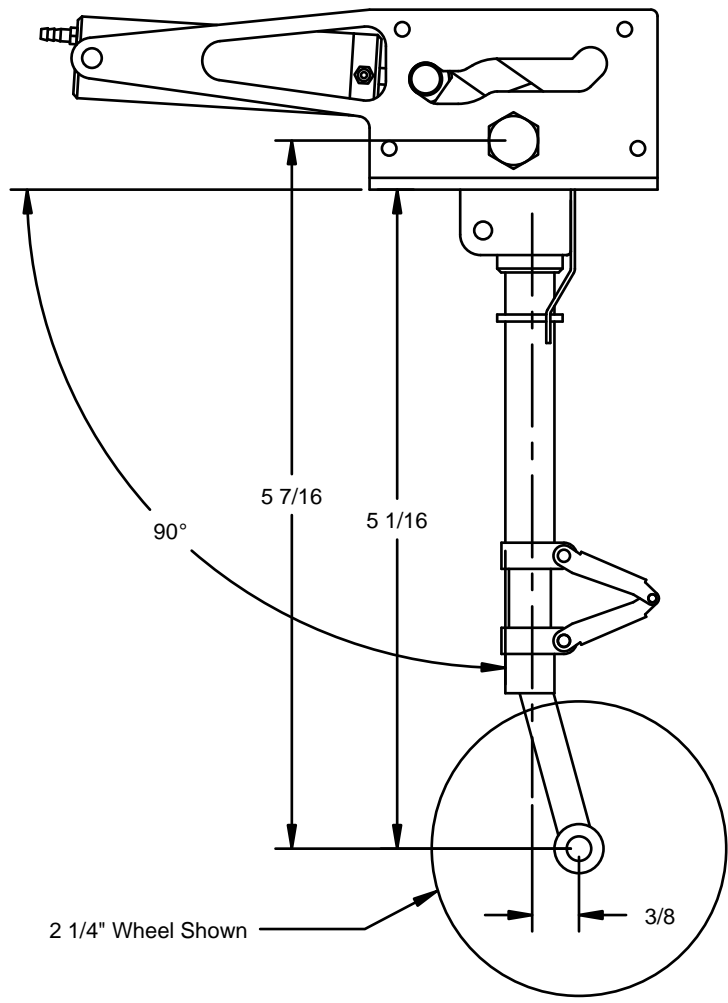
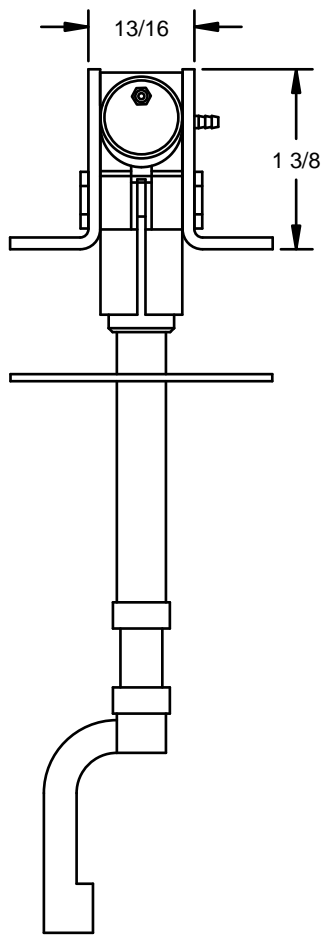
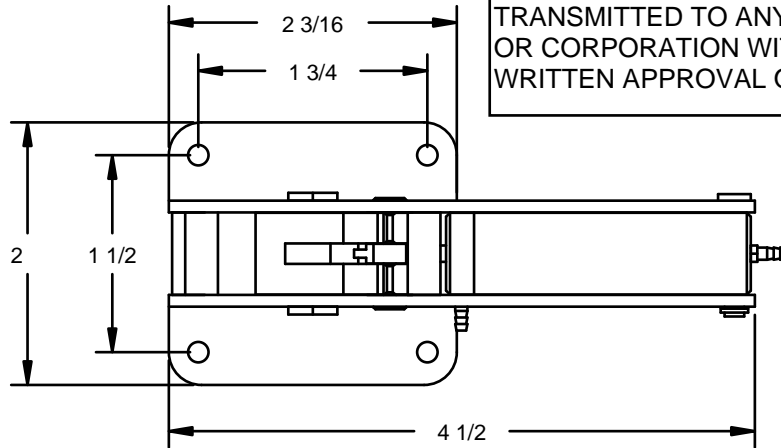



THIS DRAWING ITS CONTENTS AND INFORMATION, ARE CONFIDENTIAL, AND THE PROPERTY OF ROBERT MFG., INC. IT MAY NOT BE USED, COPIED, AND / OR TRANSMITTED TO ANY PER PERSON, FIRM, OR CORPORATION WITHOUT THE PRIOR WRITTEN APPROVAL OF ROBERT MFG. INC..



PRINT NOT TO SCALE

SCALE	1 : 1		MFG. INC. 625 N. 12TH ST. ST. CHARLES, IL
DRAWN BY	CS		
DATE	12/9/96	TITLE	
CHK'D BY		F104 RETRACT STEERABLE NOSE GEAR DIMENSION DRAWING	
APP'D		DRAWING No.	REV.
		F104 NOSE GEAR	