



http://www.webra-austria.at/motor.php?search=1024&folder=AERO&lang=EN

Go

DEC SEP JUL

23 2006 2007

Close

13 captures  
30 Jul 04 - 14 Nov 07

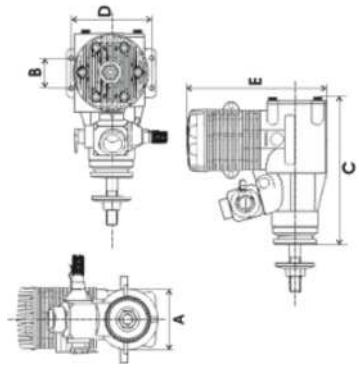
**WEBRA MODELLMOTOREN GmbH & Co. KG**  
A-2351 ENZESFELD, Eichengasse 9 / AUSTRIA  
PHONE: ++43 (0)2256-81122-0 FAX: ++43 (0)2256-82306  
e-mail : [webra@webra-austria.at](mailto:webra@webra-austria.at)



AERO HELI CABURATOR SILENCER ACCESSORIES SPAREPARTS DOWNLOAD HOME

**AERO**

- SPEED 25
- SPEED 32
- SPEED 36
- SPEED 40
- SPEED 50
- SPEED 55
- SPEED 61F
- Racing 61F C
- SPEED 70 F
- RACING 80F
- SPEED 91-P5
- SPEED 120 X
- RACING 145
- RACING 145 X
- RACING 160 X
- BOXER 30-2 FT-Glow



- A = 41,00 mm
- B = 25,00 mm
- C = 96,00 mm
- D = 52,00 mm
- E = 99,00 mm

**engine**

**order no.**

- volum
- power
- rpm
- bore
- stroke
- weight
- system of control
- porting
- ballbearing
- liner piston set
- crankshaft
- carburetor

**SPEED 61F**

**1024**

- 9.95 / 0.61
- 1.96 / 1.40
- 2000 - 16000
- 24.00
- 22.00
- 445.00
- front intake
- Schnürle
- 2
- steel/ring
- 9,5
- M8
- [1020/216](#)
- ccm / cu in
- PS / KW
- 1/min
- mm
- mm
- g
- mm

**silencer**

- silencer A1
- silencer A2
- silencer Vario
- manifold
- tuned pipe

- 1100/62A
- 1100/62B
- 1100/62C
- 1100/71A - C
- 1100/230

**accessories**

- engine mount
- glow plug
- airfilter
- spinner
- prop

- 3723
- 4303
- 1100/90
- 1111/3
- 11x7 / 12x8