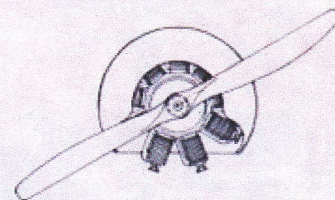
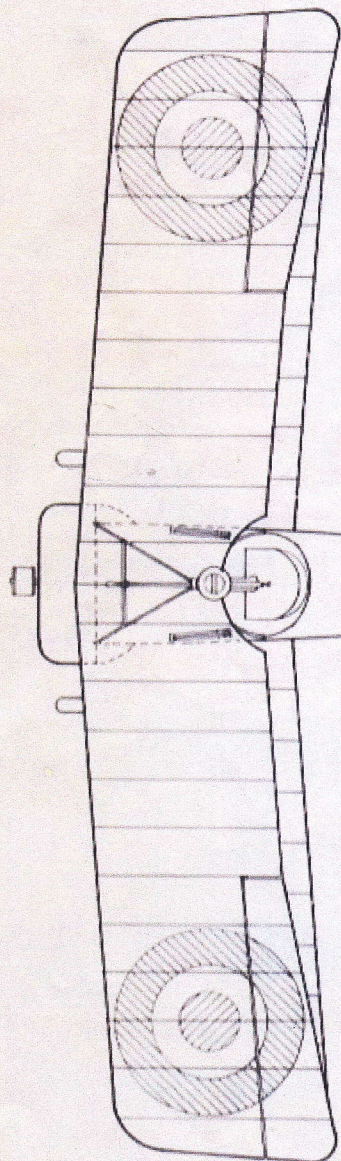


Front View
80 hp Le Rhône 9C

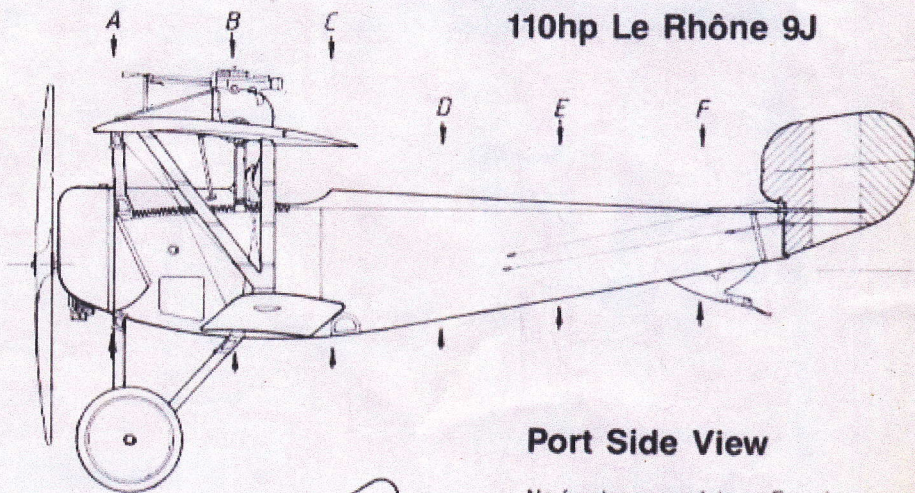


110hp Le Rhône 9J

French roundel. British roundels on Nie. 16s were usually of similar proportions but with colours reversed.



Plan View



Port Side View

No fuselage roundels on French aircraft

Nieuport Types 11 and 16

Fuselage Sections

